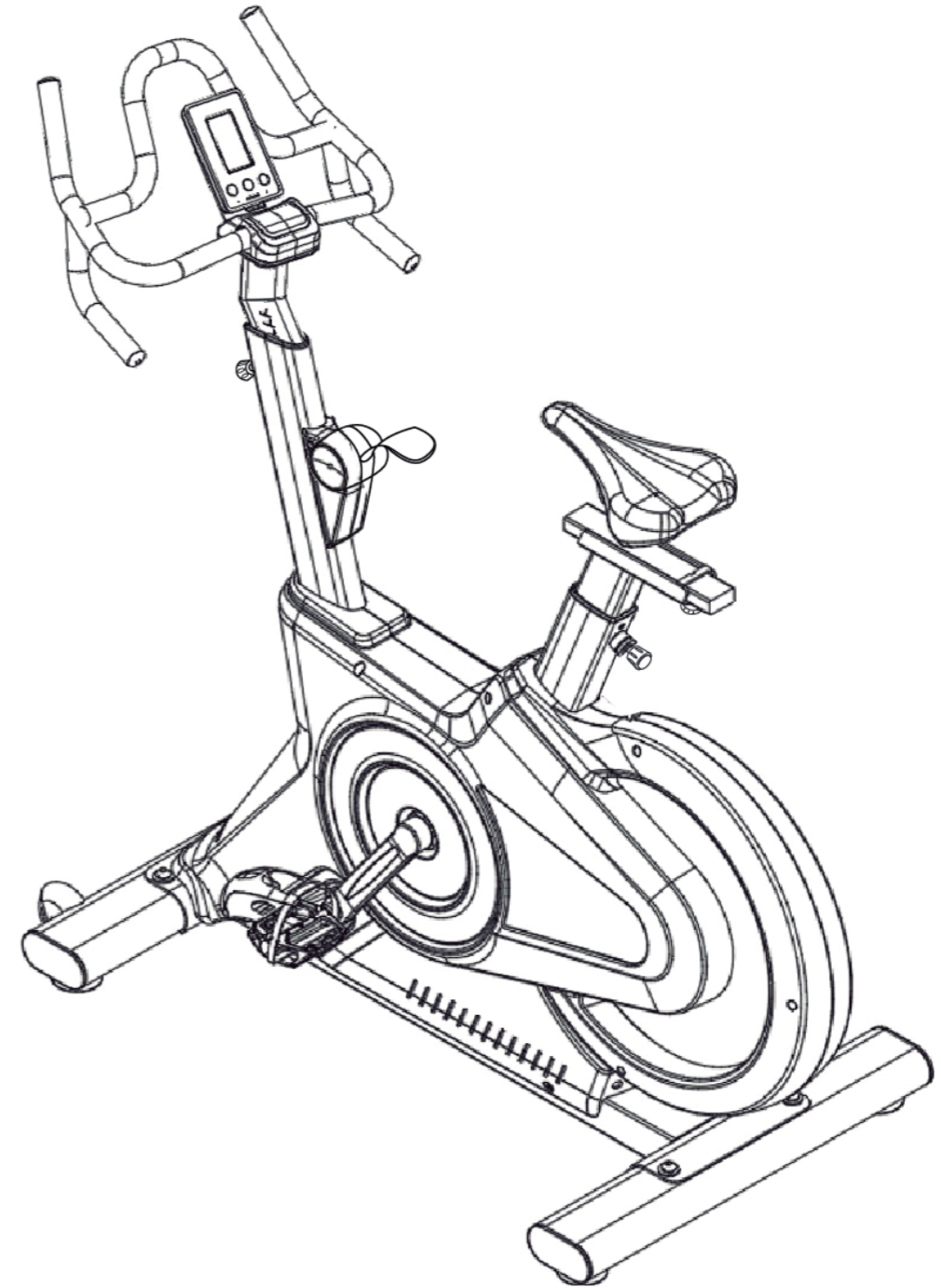





**BODYTONE**



### BODYTONE HOME WARRANTY

Structure..... 5 years

Mechanical problem..... 2 years

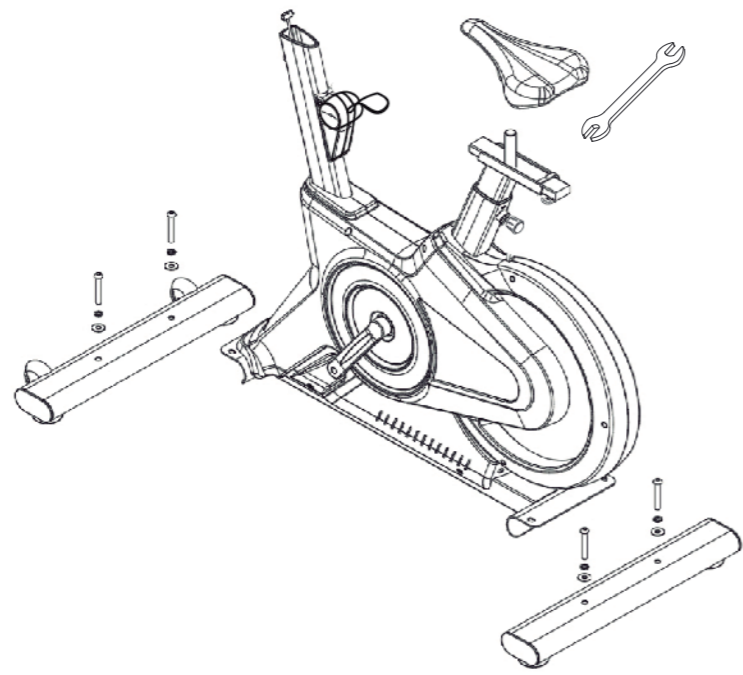
 Home User Guide  
on our website

[www.bodytone.eu/en/technical-service](http://www.bodytone.eu/en/technical-service)

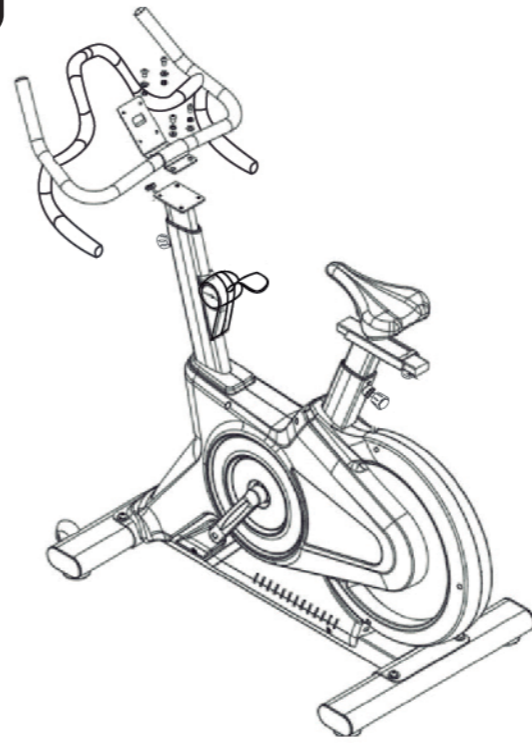
 **CICLOINDOOR**

**DS60**

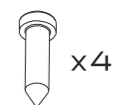
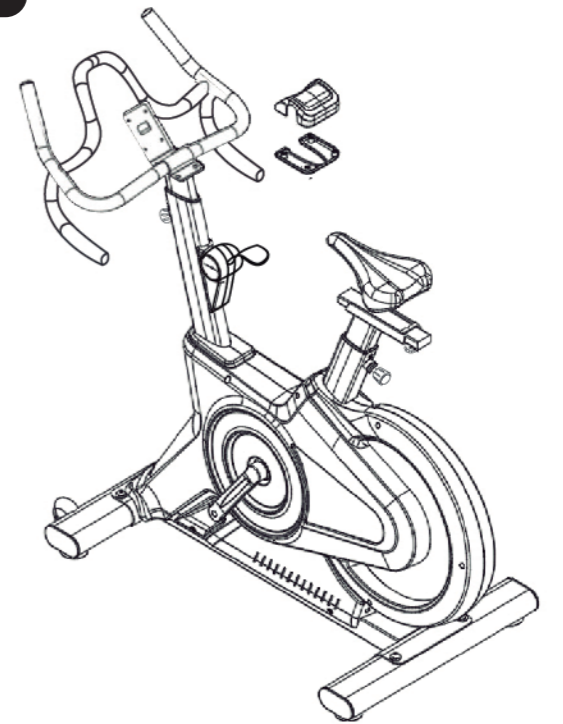
1.



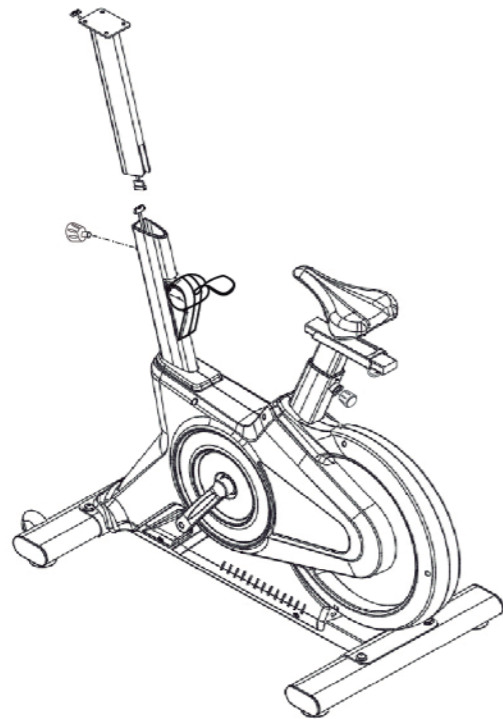
3.



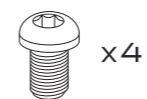
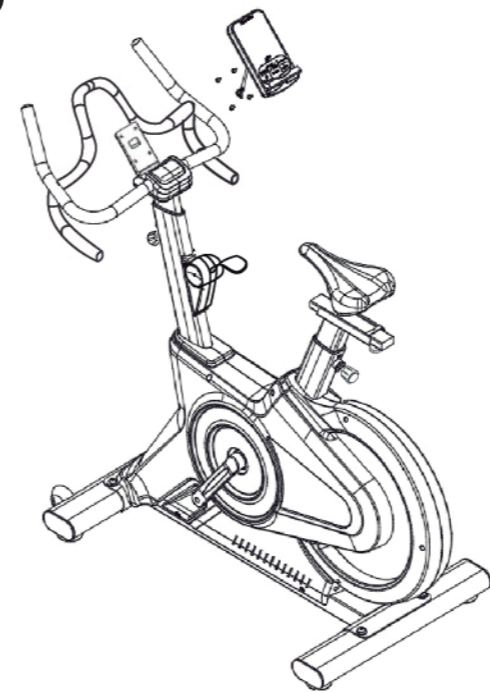
4.



2.



5.



6.

