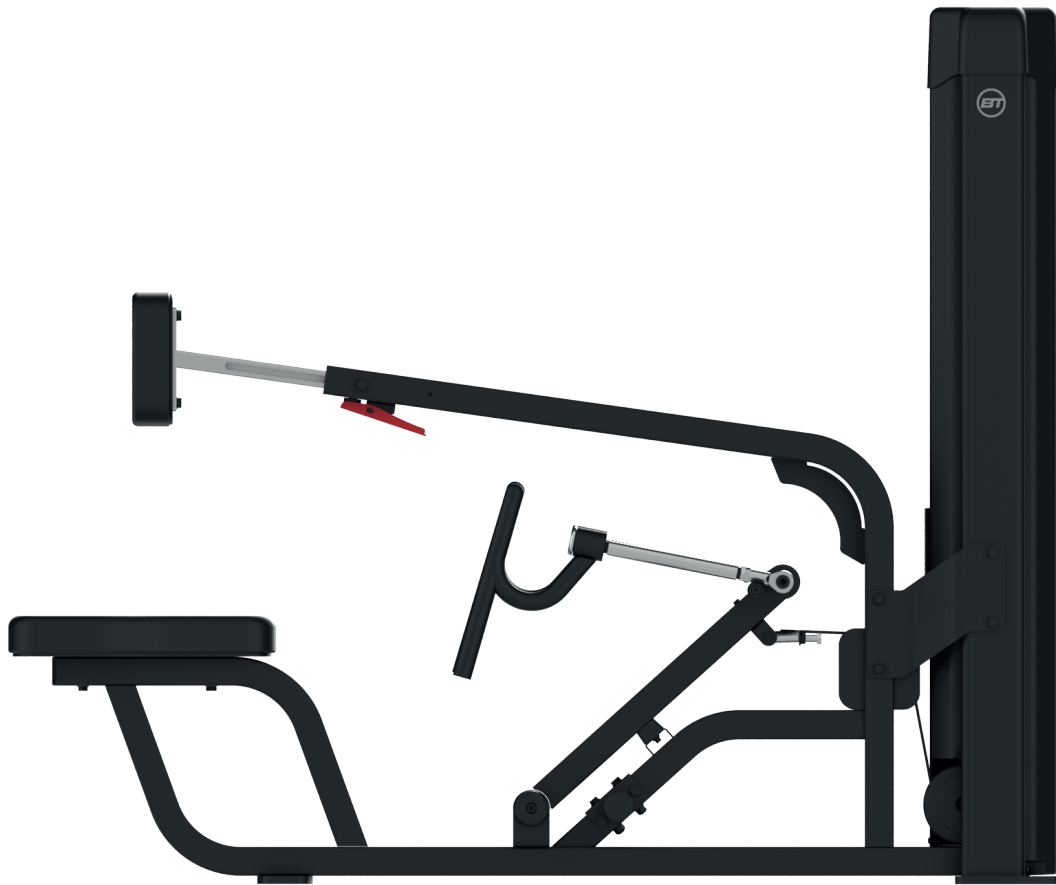


***BODYTONE***

**FORZA**BOLD

**FB15**

SEATED ROW



**OWNER'S MANUAL**

**!CAUTION!**

Read all precautions and instructions in this manual before using this equipment.

# Table Of Contents

## CAUTION!

Read all precautions and instructions in this manual before using this equipment.

Important Safety Instructions-----	3
Instructions-----	5
Exploded View and Parts List-----	6
Measurement Guide-----	14
Assembly Instructions-----	15
Assembly-----	16
Adjust Instructions and Exercise Instructions-----	26
Maintenance Schedule-----	27
General Maintenance Information-----	28
Weight Training Tips-----	29

Please assemble according to the actual **Weights** you buy !

---

# Important Safety Instructions

Before beginning any fitness program, you should obtain a complete physical examination from your physician. When using exercise equipment, basic precautions should always be taken, including the following:

1. Read all instructions before using the equipment.  
These instructions are written to ensure your safety and to protect the unit.
2. Use the equipment only for its intended purpose as described in this guide.  
Do not use accessory attachments that are not recommended by the manufacturer: such attachments might cause injuries.
3. The product should only be used on a level surface and is with 0.6 meters space around the product.  
Do not use the equipment outdoors.
4. Do not allow children on or near the equipment. And children are not allowed to use this equipment.  
Teenagers should use this equipment with adult supervision.
5. Do not overexert yourself or work to exhaustion.  
Do not attempt to lift more weight than you can control safely.  
If you feel any pain or abnormal symptoms, stop your workout immediately and consult your physician.
6. This equipment is not used as medical apparatus and instruments.
7. Never operate the unit when it has been dropped or damaged.  
Never drop or insert anything into any opening in the equipment.  
Always check the unit and its cables before each use. Make sure that all fasteners and cables are secure and in good working condition.  
Frayed or worn cables can be dangerous and may cause injury. Periodically check these cables for any indication of wear.  
Keep hands, limbs, loose clothing and long hair well out of the way of moving parts.
8. Be careful when getting on or off the equipment.
9. Wear proper exercise clothing and shoes for your workout, no loose clothing.

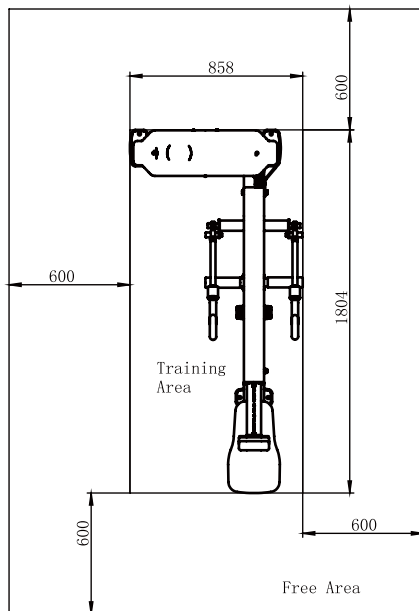
# Important Safety Instructions

## Personal Safety During Assembly

Read each step in the assembly instructions and follow the steps in sequence. Do not skip ahead. If you skip ahead, you may learn later that you have to disassemble components and that you may have damaged the equipment.

Assemble and operate the equipment on a solid, level surface. Locate the unit a few feet from walls or furniture to provide easy access. The equipment is designed for your enjoyment. By following these precautions and using common sense, you will have many safe and pleasurable hours of healthful exercise with the equipment.

## Training Area and Free Area



## Specifications

Class: S

Maximum Wt. Capacity: 134kg/ 295lbs

Maximum User Weight: 150kg/ 330lbs

Product Dimension: 858\*1804\*1504mm

Product Total Surface: 858\*1804mm

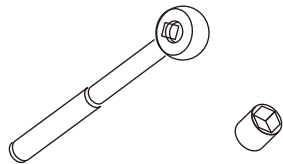
Product Total Mass:

# Instructions

Before beginning assembly please take the time to read instructions thoroughly. Please use the various lists in this manual to make sure that all parts have been included in your shipment. When ordering, use part number and description from the lists. Use only our replacement part when servicing. Failure to do so will void your warranty and could result in personal injury.

The equipment is designed to provide the smoothest, most effective exercise motion possible. After assembly, you should check all functions to ensure correct operation. If you experience problems, first recheck the assembly instructions to locate any possible errors made during assembly. If you are unable to correct the problem, call your authorized dealer. Be sure to have your serial number and this manual when calling. When all parts have been accounted for, continue on.

## Tools Required



Ratchet Wrench and Socket



Adjustable Wrench



Rubber Mallet



Hex Key Wrench Set



Phillips Screwdriver

# Exploded View and Parts List

## Overall

Item No.	Grade No.	Part No.	Description	QTY
1	1	FB0101ASSY	Weight Stack Frame ASSY	1
2	2	IT95014200	Top Plate	1
3	3	IT95014400	Guide Rod $\Phi 19 \times 1097$	2
4	4	IF9301B21ASSY	Front Bracket ASSY	1
5	5	FB013100	Top Shroud	1
6	6	FB013400	Plug	1
7	7	FB0135ASSY	Left Bracket ASSY	1
8	8	FB0136ASSY	Right Bracket ASSY	1
9	9	FB0137ASSY	Rear Bracket ASSY	1
10	10	IF931902ASSY	Main Frame ASSY	1
11	11	IF931903ASSY	Boating Frame ASSY	1
12	12	IF931904ASSY	Handle Frame ASSY	2
13	13	IF931906ASSY	Pedal Frame ASSY	1
14	14	IF93190800	Plate	1
15	15	IF93195600	Cable ASSY	1
16	16	SG500110400V5	4.5" Pulley	4
17	17	IF93012600	Axis	1
18	18	IT95016400	Pulley Cap	2
19	19	IF93190700	Chest Pad Support	1
20	20	IT90012000V1	Selector Pin W/Coil	1
21	21	IT80023000	Weight Rubber Bumper	2
22	22	IT95016100	Guide Rod Fixing Sleeve $\Phi 30 \times \Phi 19 \times 45$	2
23	23	HFOPT900-04A0602	Spring $\Phi 15.5 \times \Phi 1.5 \times 36$	2
24	24	FE97212000	Circle Ring $\Phi 62.5 \times 5$	2
25	25	FE97211900	Cap $\Phi 60.1 \times 16.1$	2
26	26	GB9310DS12	Spring Washer $\Phi 10$	2

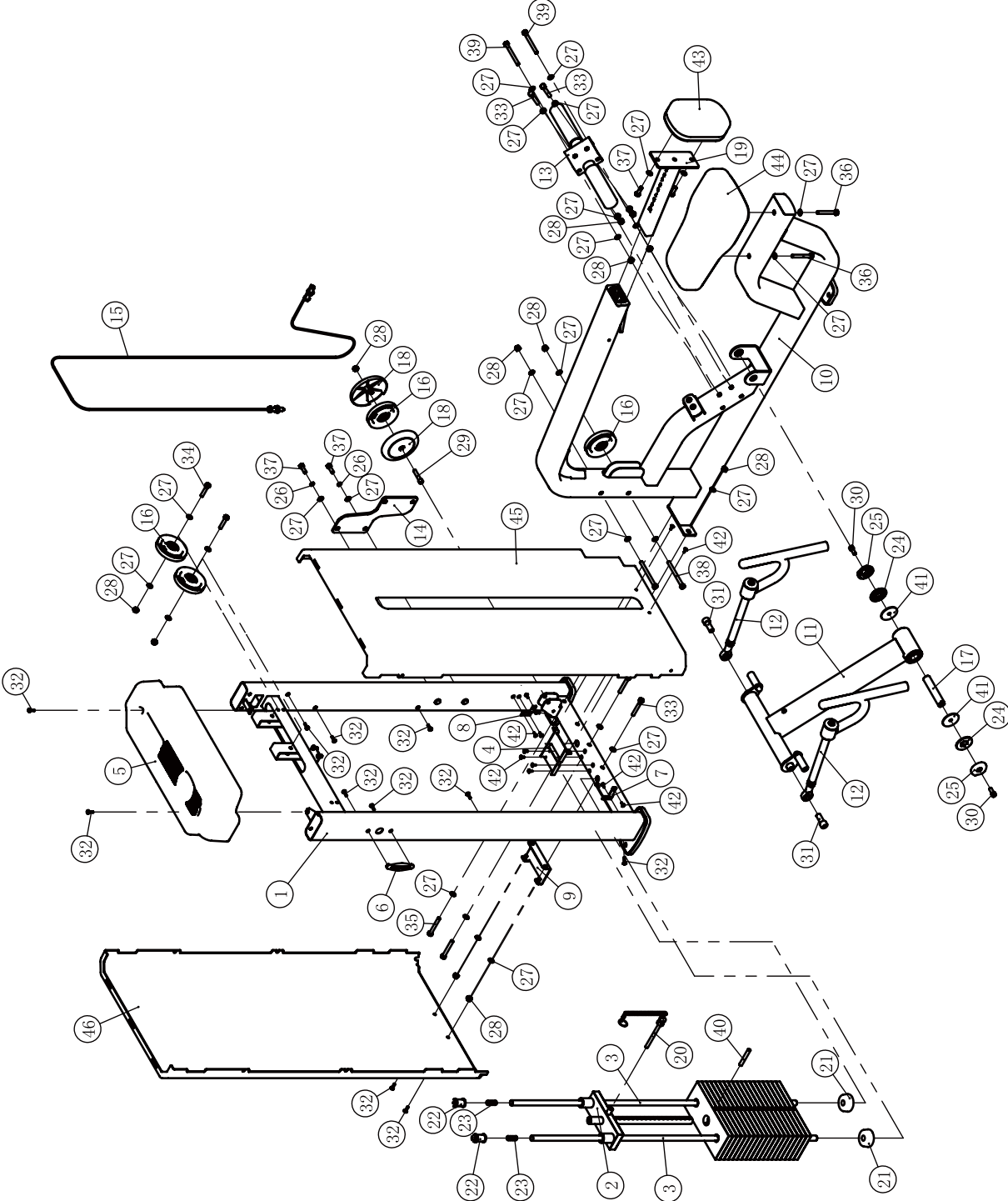
# Exploded View and Parts List

## Overall

Item No.	Grade No.	Part No.	Description	QTY
27	27	GB9510DS2	Flat Washer $\Phi 11 * \Phi 20 * 2$	29
28	28	NM10DS2	Nylon Lock Nut M10	12
29	29	GB70M10*50DS20	Socket Head Cap Screw M10*50	1
30	30	GB70M10*25DS20NL	Socket Head Cap Screw M10*25	2
31	31	GB70M16*40*40DS20	Socket Head Cap Screw M16*40	2
32	32	GB818M6*20DHS2	Cross Recessed Pan Head Screw M6*20	12
33	33	GB5780M10*70DS20	Hex Head Bolt M10*70	4
34	34	GB5780M10*50DS20	Hex Head Bolt M10*50	2
35	35	GB5780M10*75DS20	Hex Head Bolt M10*75	2
36	36	GB5780M10*80DS20	Hex Head Bolt M10*80	2
37	37	GB5781M10*30DS20	Hex Head Bolt M10*30	4
38	38	GB5780M10*120DS20	Hex Head Bolt M10*120	2
39	39	GB5780M10*100DS20	Hex Head Bolt M10*100	2
40	40	IT80124103	Spring Pin $\Phi 11 * 76$	1
41	41	IF93062200	Washer $\Phi 62 * \Phi 10.5 * 3$	2
42	42	GB9074ST4.2*16DHS	Cross Disc Self Tapping Screw ST4.2*16	12
43	43	PL90161600V2	Chest Pad	1
44	44	FB155100	Seat Pad	1
45	45	FB013200	Front Shroud	1
46	46	FB013300	Rear Shroud	1
60	60	NBS12DHS	Hex Key S=12	1
61	61	NBS8DHS	Hex Key S=8	1
62	62	LW200BS	Wrench $\Phi 6 * 117$	1
63	63	YHY	Lube	1

# Exploded View and Parts List

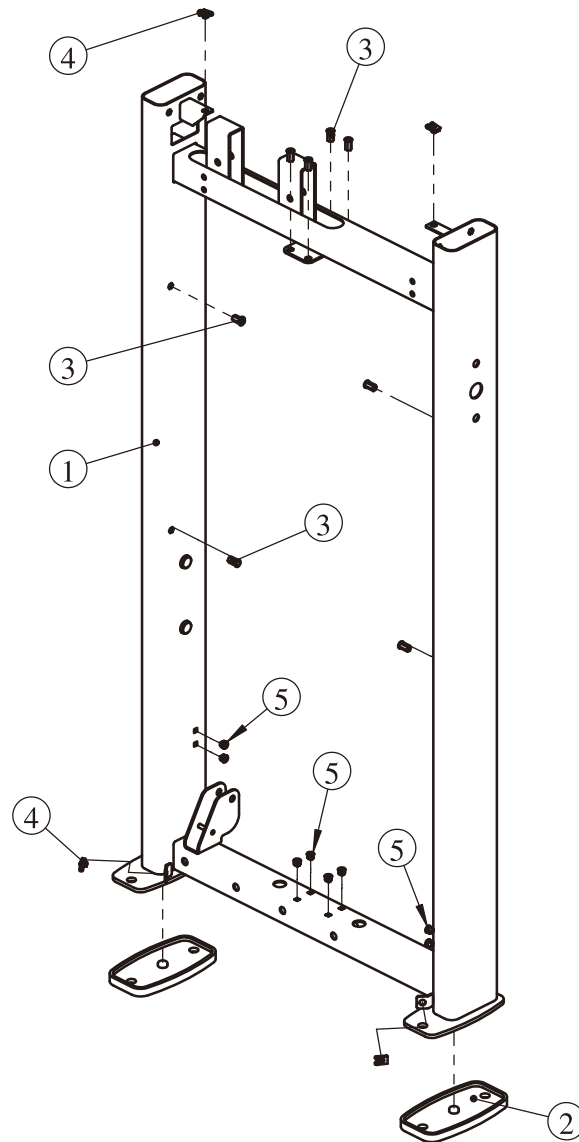
## Overall





# Exploded View and Parts List

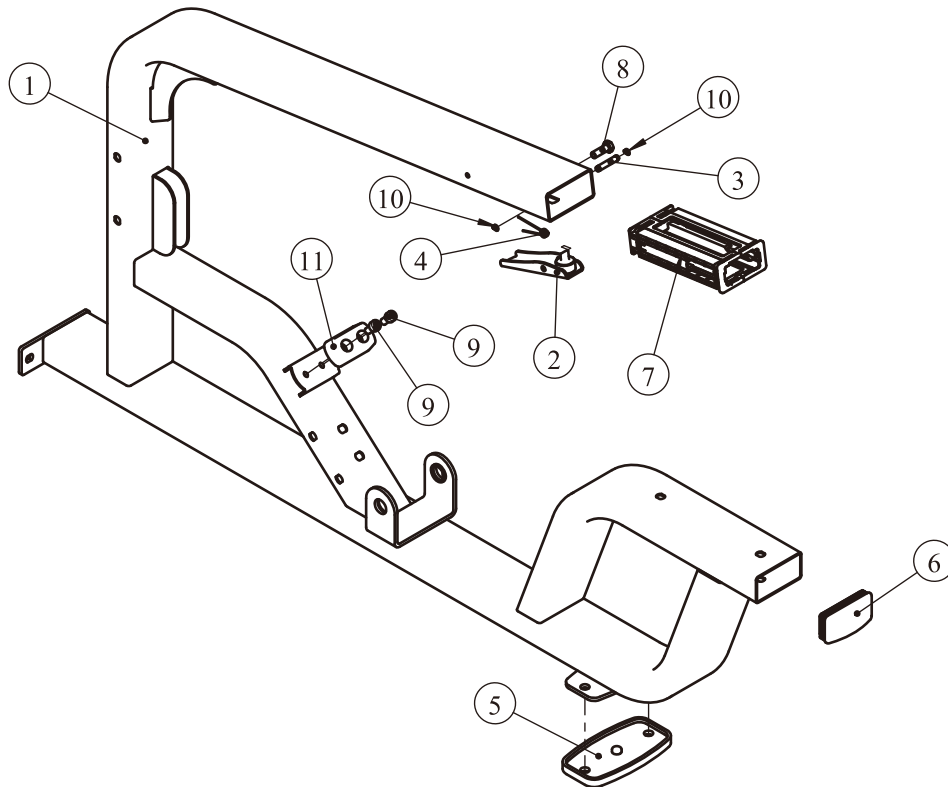
## Weight Stack Frame ASSY



Item No.	Grade No.	Part No.	Description	QTY
1	1.1	IF9301ZN0100	Weight Stack Frame	1
2	1.2	BS81223100	Foot Plate	2
3	1.3	GB17880.5M6*16.5DS17	Rivet Nut M6	10
4	1.4	AC32705800	U-nut M6	4
5	1.5	ECU7P3500	Plastic Nut	8

# Exploded View and Parts List

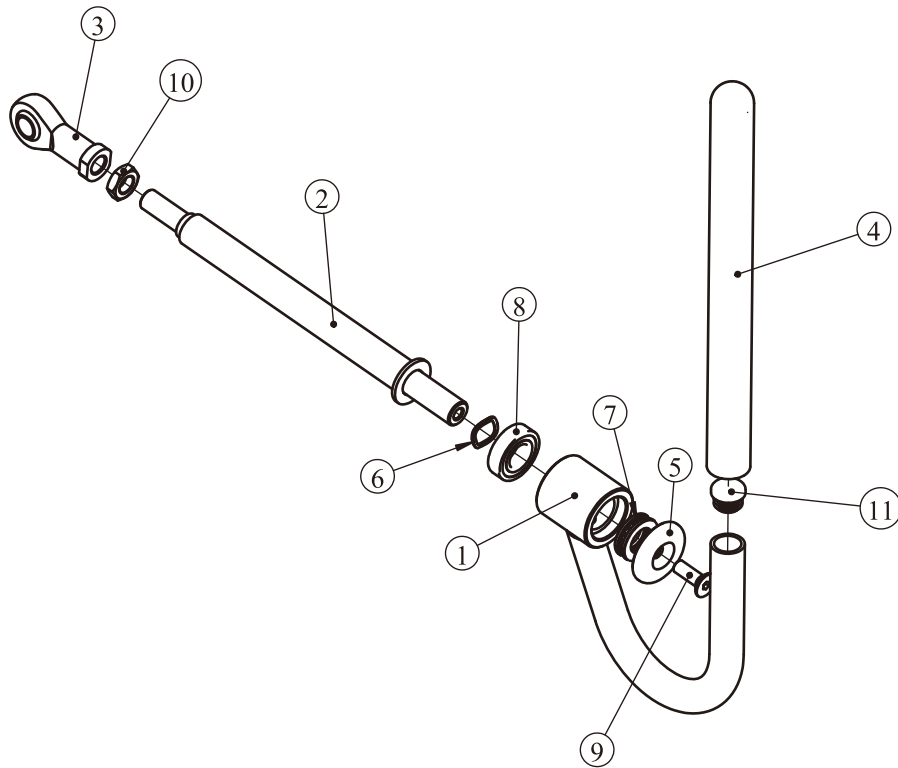
## Main Frame ASSY



Item No.	Grade No.	Part No.	Description	QTY
1	10.1	IF93190200	Main Frame	1
2	10.2	IT95014500	Adjustable Support	1
3	10.3	CWRVL0012200	Roll Pin	1
4	10.4	AXT3S5500	Torsional Spring	1
5	10.5	BS81223100	Foot Plate	1
6	10.6	VLP8000	Plug □50*100	1
7	10.7	IF93035000	Inner Wear Sleeve	2
8	10.8	GB5780M10*30DS20	Hex Head Bolt M10*30	1
9	10.9	GB70M10*20DS20	Socket Head Cap Screw M10*20	2
10	10.10	GB894.18FH12	Cirdips For Shaft Φ8	2
11	10.11	RS17000400	Bumper	1

# Exploded View and Parts List

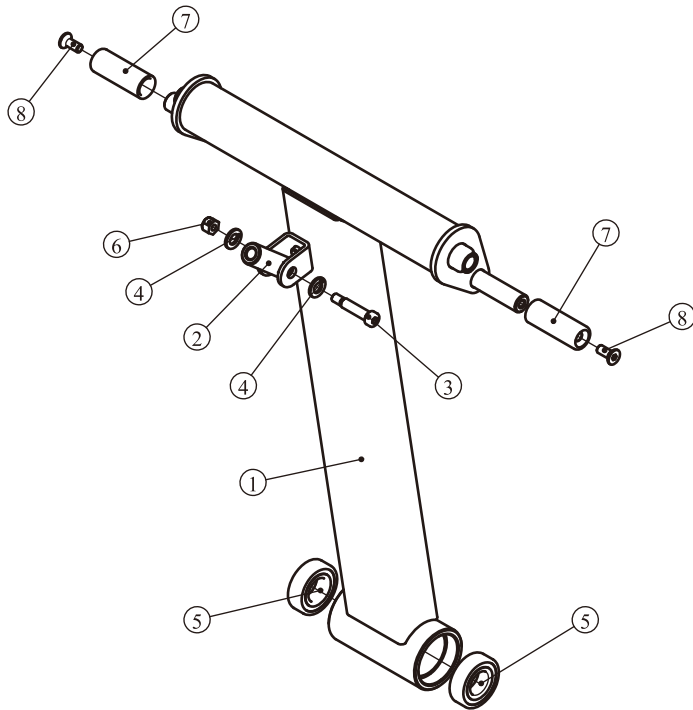
## Handle Frame ASSY



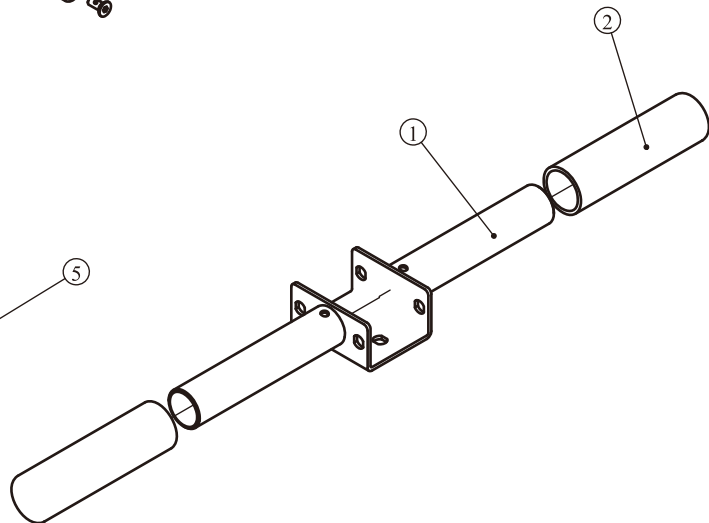
Item No.	Grade No.	Part No.	Description	QTY
1	12.1	IF93190400	Handle Frame	1
2	12.2	IF93190500	Pull Rod Frame	1
3	12.3	SIBJK16S	Universal Joint	1
4	12.4	HF2011800	Grip ST $\Phi 24 * \Phi 18 * 64$	1
5	12.5	IN-S51102100	Shaft End Cover	1
6	12.6	BXDQ26*20*1.5	Wave Washer $\Phi 26 * \Phi 20 * 1.5$	1
7	12.7	GB30151104	Thrust Ball Bearing $\Phi 21 * \Phi 35 * 10$	1
8	12.8	GB2766004-2ZC3	Deep Groove Ball Bearing $\Phi 20 * \Phi 42 * 12$	1
9	12.9	CNLM10*30*30DS20	Hexagon Socket Countersunk Head Screws M10*30	1
10	12.10	GB6172.1M16DS2	Thin Nut M16	1
11	12.11	BNH0002	Plug $\Phi 25.4$	1

# Exploded View and Parts List

## Boating Frame ASSY



## Pedal Frame ASSY



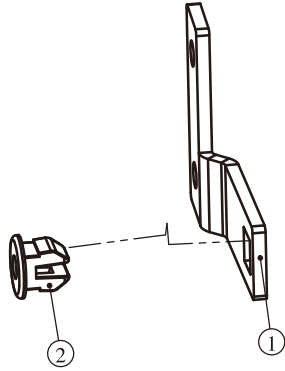
ItemNo.	Grade No.	Part No.	Description	QTY
1	11.1	IF93190300	Arm Frame	1
2	11.2	IF930127ASSY	Steel Cable Adjustable ASSY	1
3	11.3	IF81105500V1	Steel Cable Fixing Bolt	1
4	11.4	GB9510DS2	Flat Washer $\Phi 11 * \Phi 20 * 2$	2
5	11.5	GB2766205-2ZC3	Deep Groove Ball Bearing $\Phi 25 * \Phi 52 * 15$	2
6	11.6	NM8DS2	Nylon Lock Nut M8	1
7	11.7	PL4002900	Protective Sleeve	2
8	11.8	CNLM8*20N19	Hexagon Socket Countersunk Head Screws M8*20	2

ItemNo.	Grade No.	Part No.	Description	QTY
1	13.1	IF93190600	Pedal Frame	1
2	13.2	FE970112000	Pedal Sleeve $\Phi 48 * 170$	2

# Exploded View and Parts List

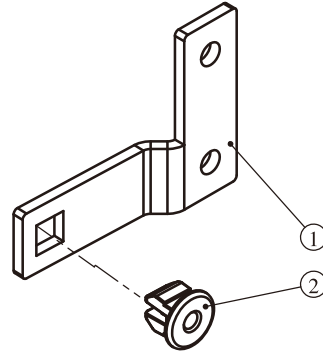
## Left Bracket ASSY

7



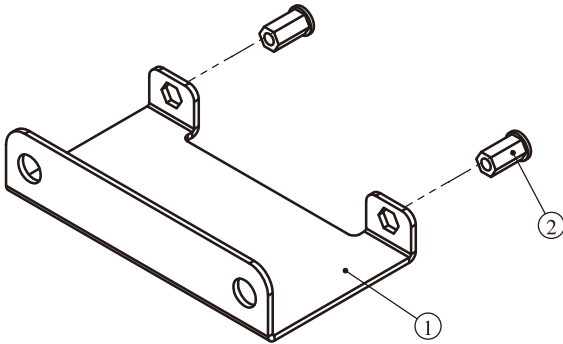
## Right Bracket ASSY

8



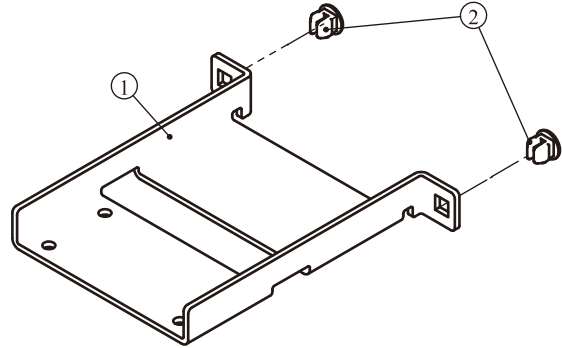
## Bottom Bracket ASSY

9



## Front Bracket ASSY

4



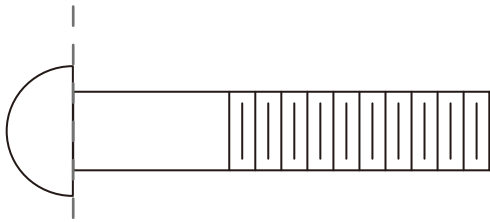
Item No.	Grade No.	Part No.	Description	QTY
1	7.1	FB013500	Left Bracket	1
2	7.2	ECU7P3500	Plastic Nut	1

Item No.	Grade No.	Part No.	Description	QTY
1	8.1	FB013600	Right Bracket	1
2	8.2	ECU7P3500	Plastic Nut	1

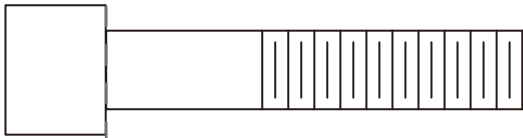
Item No.	Grade No.	Part No.	Description	QTY
1	9.1	FB013700	Bottom Bracket	1
2	9.2	GB17880.5M6*16.5DS17	Rivet Nut M6	2

ItemNo.	Grade No.	Part No.	Description	QTY
1	4.1	IF9301B21.00	Front Bracket	1
2	4.2	ECU7P3500	Plastic Nut	2

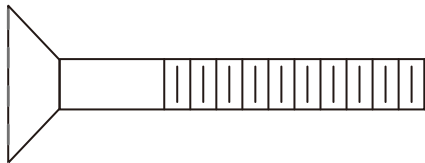
# Measurement Guide



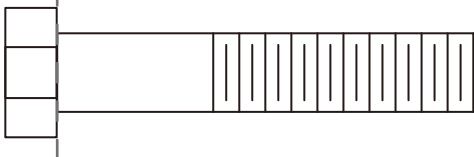
BHCS = Button Head Cap Screw



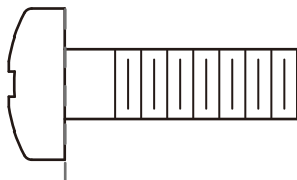
SHCS = Socket Head Cap Screw



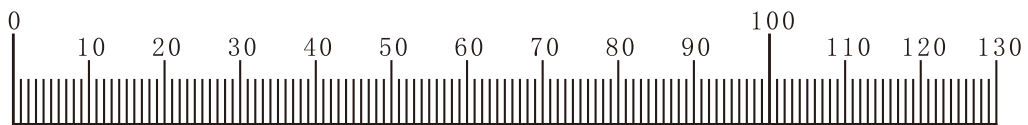
FHCS = Flat Head Cap Screw



HHB = Hex Head Bolt



CRPHS = Cross Recessed Pan Head Screw



Millimeters



Inches

Diameter of bolt (mm/inch)	M6(1/4")	M8(5/16")	M10(3/8")	M12(1/2")	M16(5/8")
Tightening torque (N.m)	9~12	22~30	45~59	78~104	193~257
Operational methods for adult men	The strength of the wrist	The strength of the wrist and forearm	The strength of the entire arm	The strength of the arm and upper body	with all strength

# Assembly Instructions

Assembly of the equipment takes professional installers about 2 hours. If this is the first time you have assembled this type of equipment, plan to spend more time. It is strongly recommended to assemble the equipment by professional installers. You may find it quicker, safer, easier to assemble this equipment with the help of a friend, as some of components may be large, heavy or awkward to handle alone. It is important that you assemble your product in a clean, clear, uncluttered area. This will enable you to move around the product while you are fitting components and reduce the possibility of injury during assembly.

## **NOTE**

As with any assembled part, proper alignment and adjustment is critical. While tightening the fasteners, be sure to leave room for adjustments. Do not fully tighten the fasteners until instructed to do so. Be careful to assemble the components in the sequence presented in this guide.

# Assembly

## STEP 1

1. Attach the Main Frame ASSY (#10), the Plate (#14) and 4.5" Pulley (Spacer) (#16) to the Weight Stack Frame ASSY (#1) using:

two M10\*30 HHB (#37)

two M10\*75 HHB (#35)

two M10\*120 HHB (#38)

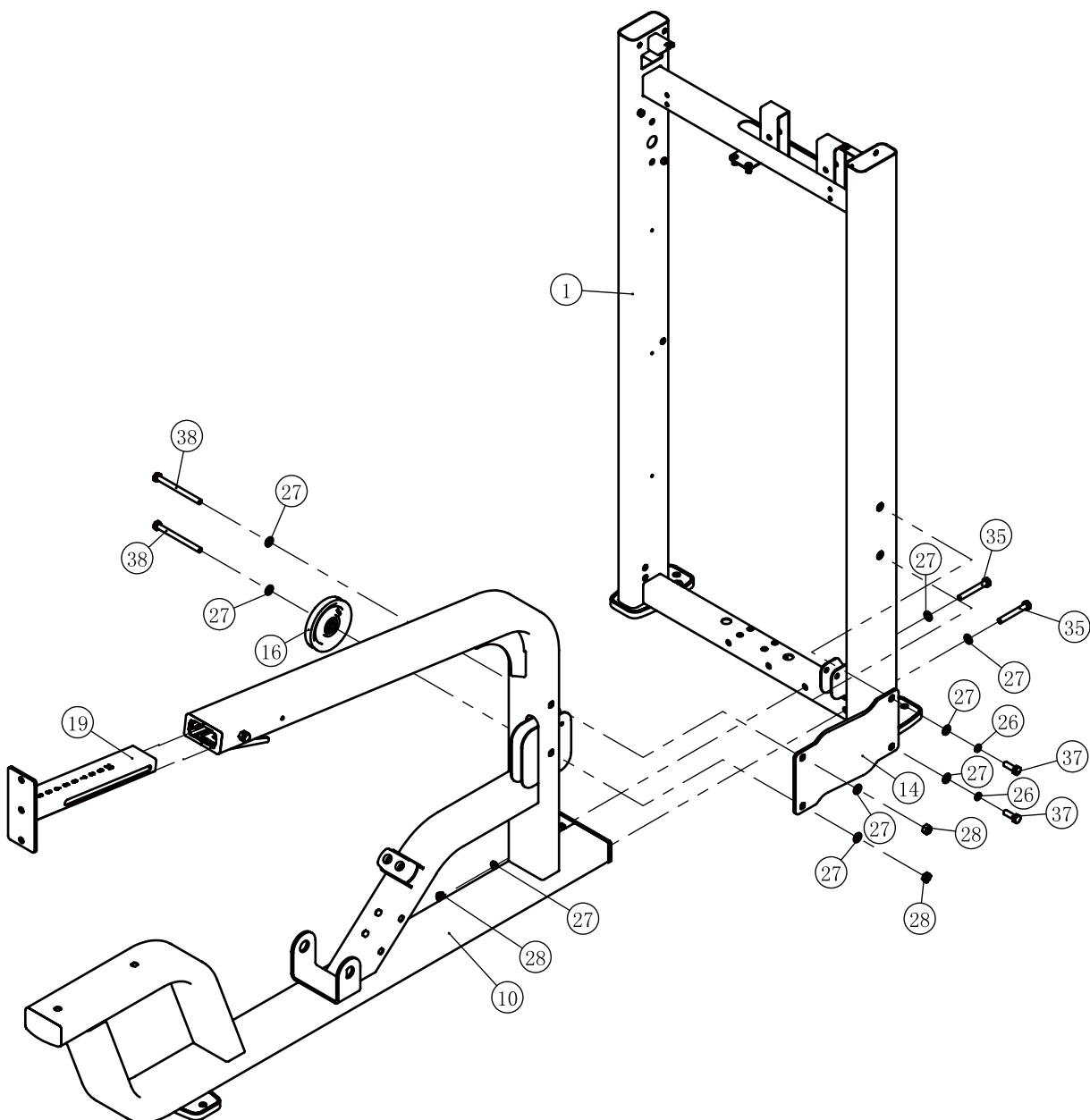
three M10 Nylon Lock Nut (#28)

nine  $\Phi 11*\Phi 20*2$  Flat Washer (#27)

two  $\Phi 10$  Spring Washer (#26)

2. Attach the Chest Pad Support (#19) to the Main Frame ASSY (#10).

**Note: Wrench Tighten Bolts and Nylon Lock Nuts.**



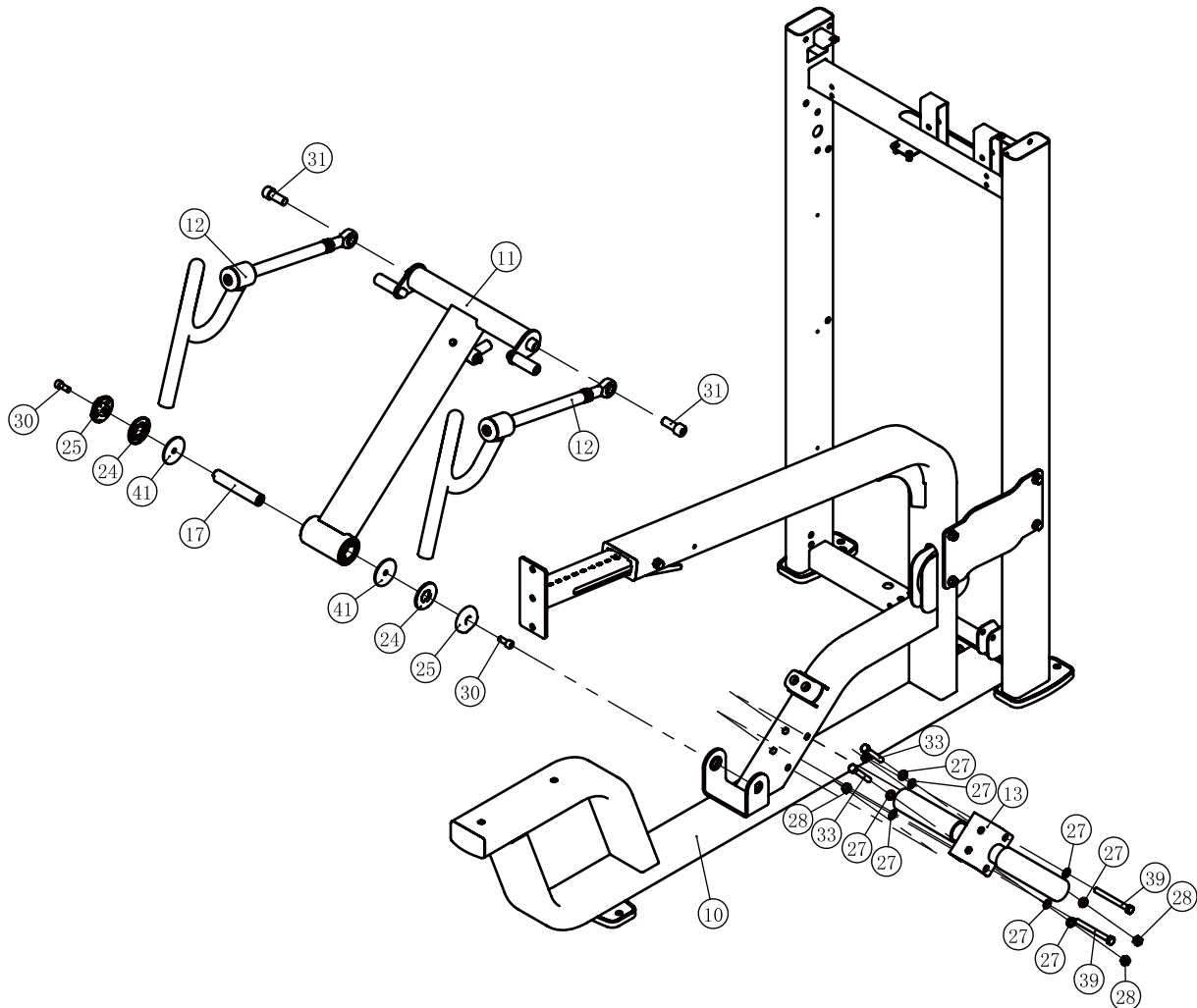


# Assembly

## STEP 2

1. Attach the Pedal Frame ASSY (#13) to the Main Frame ASSY (#10) using:
  - two M10\*70 HHB (#33)
  - two M10\*100 HHB (#39)
  - four M10 Nylon Lock Nut (#28)
  - eight  $\Phi 11 \times \Phi 20 \times 2$  Flat Washer (#27)
2. Attach the Boating Frame ASSY (#11) to the Main Frame ASSY (#10) using:
  - two  $\Phi 60$  Cap (#25)
  - two  $\Phi 62.5 \times 5$  Circle Ring (#24)
  - one Axis (#17)
  - two M10\*25 SHCS (#30)
  - two  $\Phi 62 \times \Phi 10.5 \times 3$  Washer (#41)
3. Attach two Handle Frame ASSY (#12) to the Boating Frame ASSY (#11) using:
  - two M16\*40 SHCS (#31)

**Note: Wrench Tighten Bolts and Nylon Lock Nuts.**



# Assembly

## STEP 3

1. Attach one end of the Cable ASSY (#15) to the Boating Frame ASSY (#11).  
Before attach the 4.5" Pulley (#16) to the frame, you should lead the other end of the Cable ASSY (#15) across it.

2. Attach three 4.5" Pulley (Spacer) (#16) and two Pulley Cap (#18) to the Weight Stack Frame ASSY (#1) using:

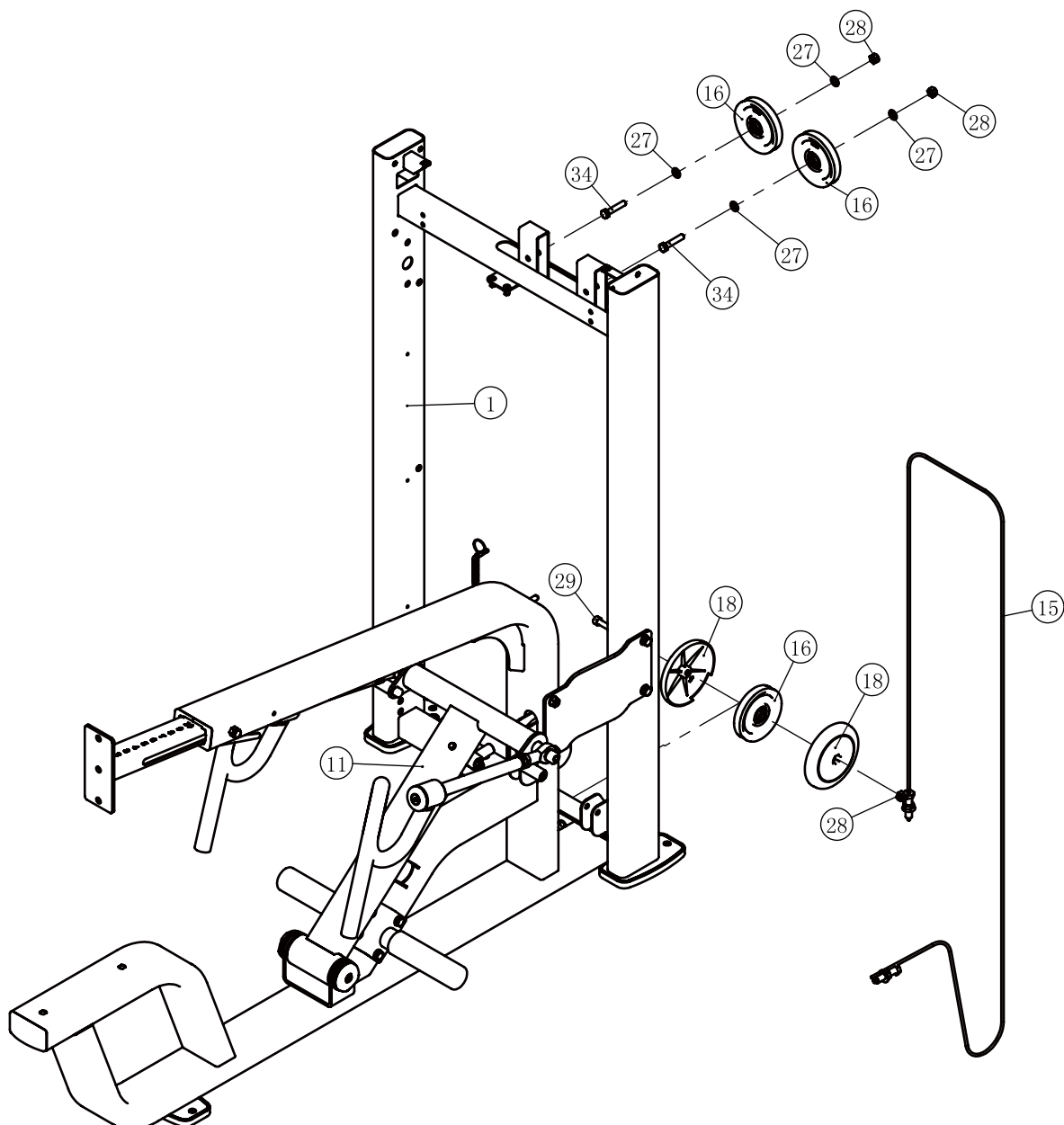
one M10\*50 SHCS (#29)

two M10\*50 HHB (#34)

three M10 Nylon Lock Nut (#28)

four  $\Phi 11 \times \Phi 20 \times 2$  Flat Washer (#27)

**Note: Wrench Tighten Bolts and Nylon Lock Nuts.**



# Assembly

## STEP 4

Here is the assembly instruction for **160LBS Weights !**

### 1. Attach:

two Guide Rod  $\Phi 19 \times 1242$  (#3)  
 fifteen Weight Plate 10LBS (#101)  
 one Top Plate (#2)

two Weight Rubber Bumper (#21)  
 two weight stack space (#103)

to the Weight Stack Frame ASSY (#1) using:

two Guide Rod Fixing Sleeve  $\Phi 25 \times \Phi 19 \times 45$  (#22)      two Spring (#23)

2. Attach the Selector Pin W/Coil (#20) to the Top Plate (#2).

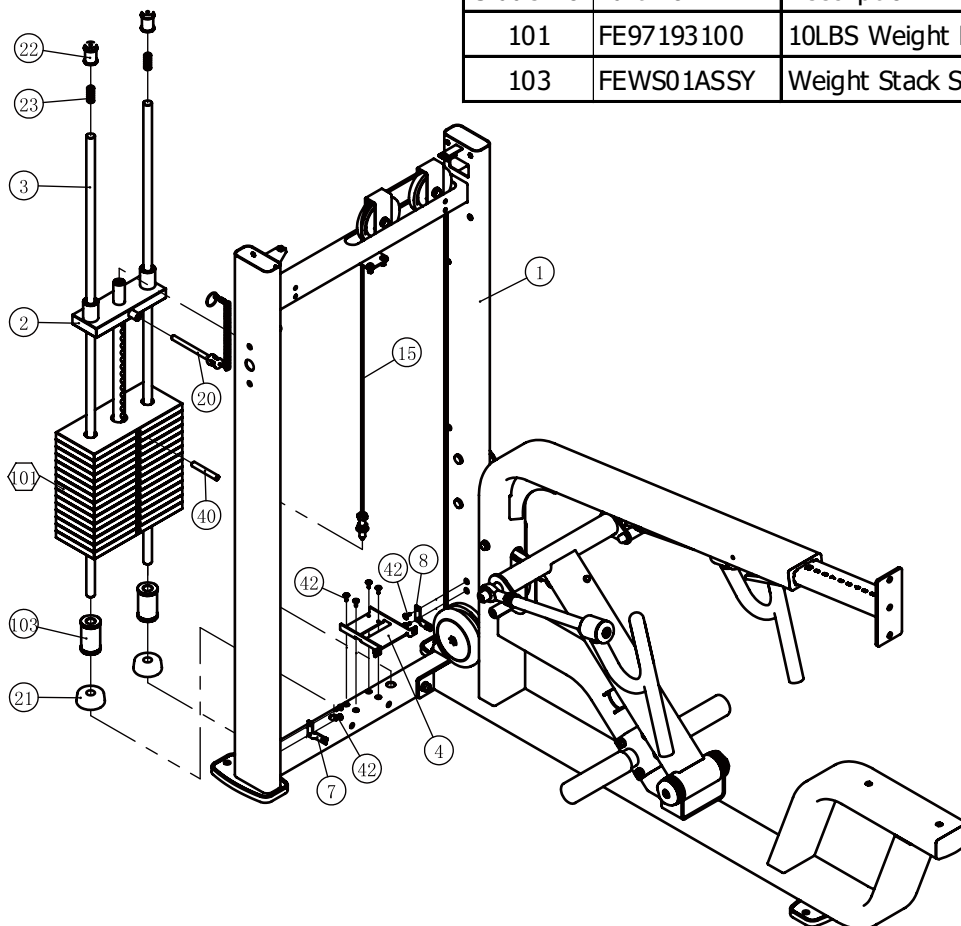
3. Attach the Cable ASSY (#15) to the Top Plate (#2).

4. Attach the First Weight Plate 10LBS (#101) to the Top Plate (#2) using:  
 one Spring Pin  $\Phi 11 \times 76$  (#40)

5. Attach one Front Bracket ASSY (#4) to the Weight Stack Frame ASSY (#1), using:  
 four ST4.2\*16 Cross Disc Self Tapping Screw (#42)

6. Attach one Right Bracket ASSY (#8) and one Left Bracket ASSY (#7) to the Weight Stack Frame ASSY using:  
 four ST4.2\*16 Cross Disc Self Tapping Screw (#42)

Grade No.	Part No.	Description	QTY
101	FE97193100	10LBS Weight Plate	15
103	FEWS01ASSY	Weight Stack Space	2



# Assembly

## STEP 4

Here is the assembly instruction for **200LBS Weights !**

### 1. Attach:

two Guide Rod  $\Phi 19 \times 1242$  (#3)                      two Weight Rubber Bumper (#21)  
 nineteen Weight Plate 10LBS (#101)              one Top Plate (#2)  
 to the Weight Stack Frame ASSY (#1) using:  
 two Guide Rod Fixing Sleeve  $\Phi 25 \times \Phi 19 \times 45$  (#22)                      two Spring (#23)

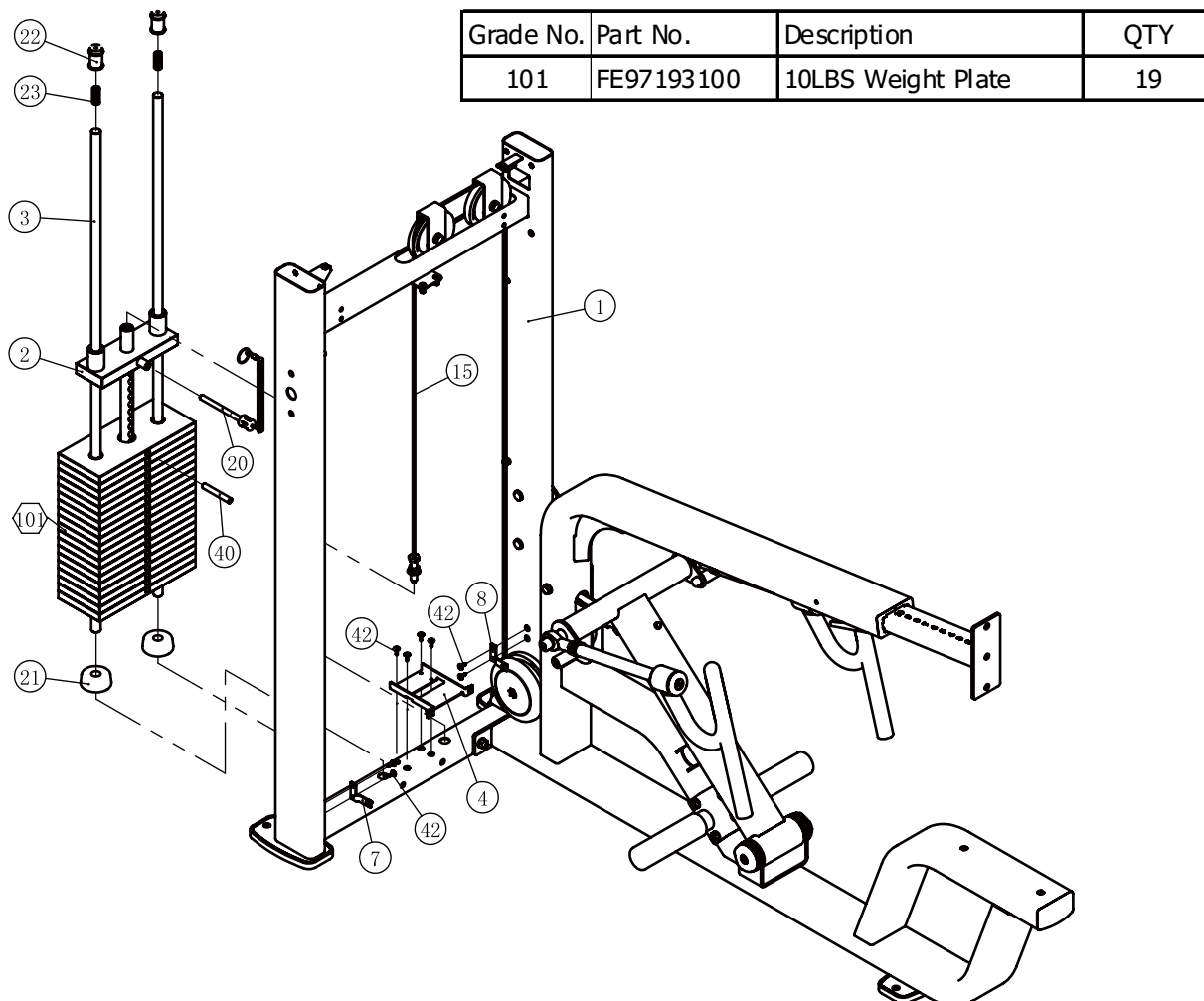
2. Attach the Selector Pin W/Coil (#20) to the Top Plate (#2).

3. Attach the Cable ASSY (#15) to the Top Plate (#2).

4. Attach the First Weight Plate 10LBS (#101) to the Top Plate (#2) using:  
 one Spring Pin  $\Phi 11 \times 76$  (#40)

5. Attach one Front Bracket ASSY (#4) to the Weight Stack Frame ASSY (#1), using:  
 four ST4.2\*16 Cross Disc Self Tapping Screw (#42)

6. Attach one Right Bracket ASSY (#8) and one Left Bracket ASSY (#7) to the Weight Stack Frame ASSY using:  
 four ST4.2\*16 Cross Disc Self Tapping Screw (#42)



# Assembly

## STEP 4

Here is the assembly instruction for **235LBS Weights !**

### 1. Attach:

two Guide Rod  $\Phi 19 \times 1242$  (#3)                      two Weight Rubber Bumper (#21)  
 fifteen Weight Plate 15LBS (#102)              two weight stack space (#103)  
 one Top Plate (#2)

to the Weight Stack Frame ASSY (#1) using:

two Guide Rod Fixing Sleeve  $\Phi 25 \times \Phi 19 \times 45$  (#22)                      two Spring (#23)

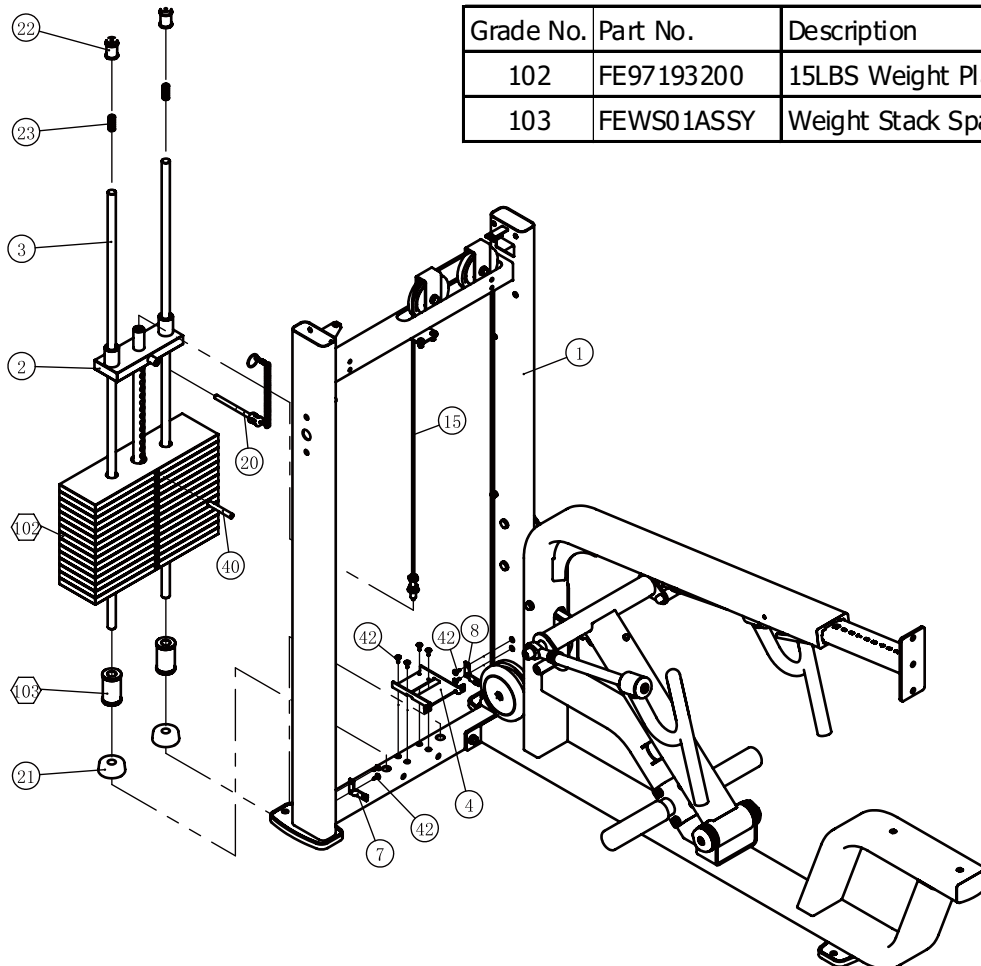
2. Attach the Selector Pin W/Coil (#20) to the Top Plate (#2).

3. Attach the Cable ASSY (#15) to the Top Plate (#2).

4. Attach the First Weight Plate 15LBS (#102) to the Top Plate (#2) using:  
 one Spring Pin  $\Phi 11 \times 76$  (#40)

5. Attach one Front Bracket ASSY (#4) to the Weight Stack Frame ASSY (#1), using:  
 four ST4.2\*16 Cross Disc Self Tapping Screw (#42)

6. Attach one Right Bracket ASSY (#8) and one Left Bracket ASSY (#7) to the Weight Stack Frame ASSY using:  
 four ST4.2\*16 Cross Disc Self Tapping Screw (#42)



Grade No.	Part No.	Description	QTY
102	FE97193200	15LBS Weight Plate	15
103	FEWS01ASSY	Weight Stack Space	2

# Assembly

## STEP 4

Here is the assembly instruction for **295LBS Weights !**

### 1. Attach:

- two Guide Rod  $\Phi 19 \times 1242$  (#3)
- two Weight Rubber Bumper (#21)
- nineteen Weight Plate 15LBS (#102)
- one Top Plate (#2)
- to the Weight Stack Frame ASSY (#1) using:
- two Guide Rod Fixing Sleeve  $\Phi 25 \times \Phi 19 \times 45$  (#22)
- two Spring (#23)

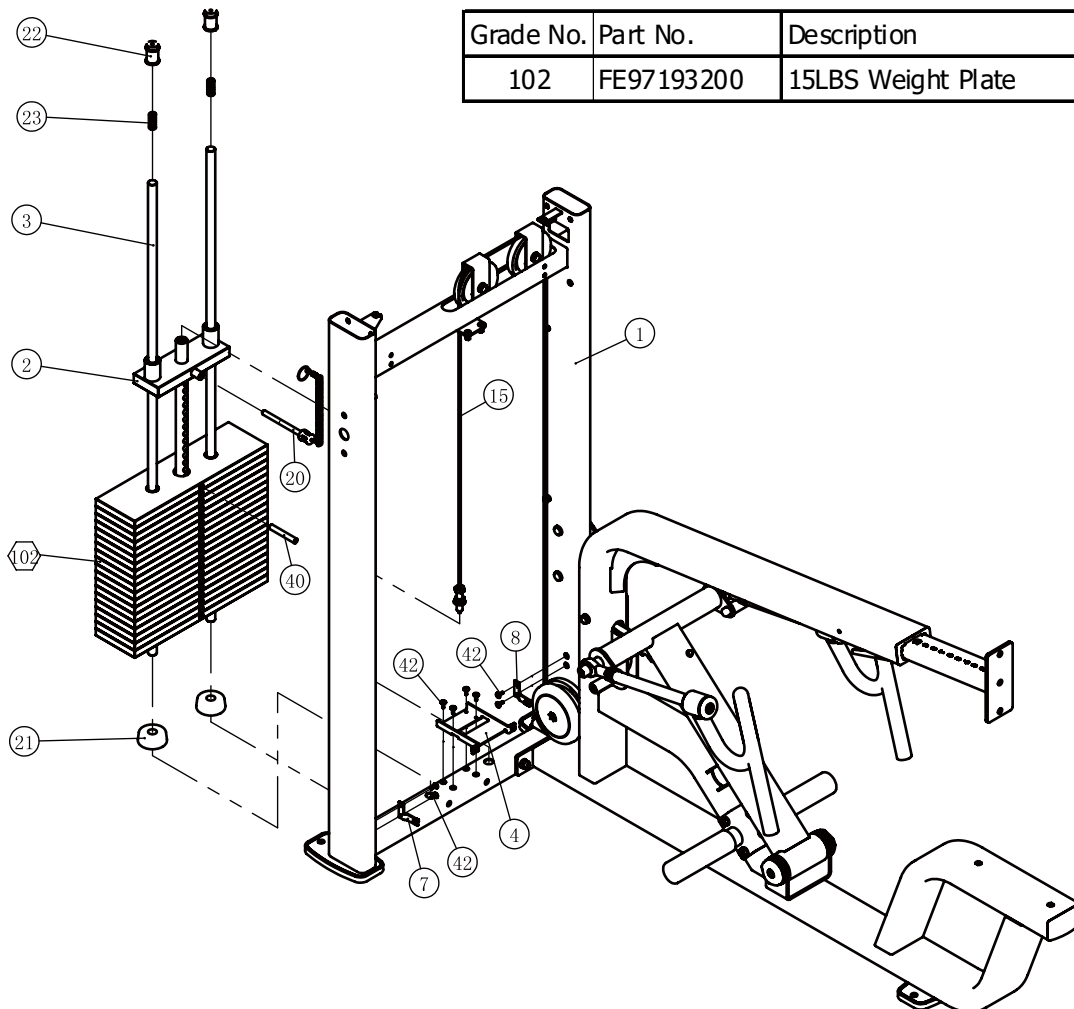
### 2. Attach the Selector Pin W/Coil (#20) to the Top Plate (#2).

### 3. Attach the Cable ASSY (#15) to the Top Plate (#2).

### 4. Attach the First Weight Plate 15LBS (#102) to the Top Plate (#2) using: one Spring Pin $\Phi 11 \times 76$ (#40)

### 5. Attach one Front Bracket ASSY (#4) to the Weight Stack Frame ASSY (#1), using: four ST4.2\*16 Cross Disc Self Tapping Screw (#42)

### 6. Attach one Right Bracket ASSY (#8) and one Left Bracket ASSY (#7) to the Weight Stack Frame ASSY using: four ST4.2\*16 Cross Disc Self Tapping Screw (#42)

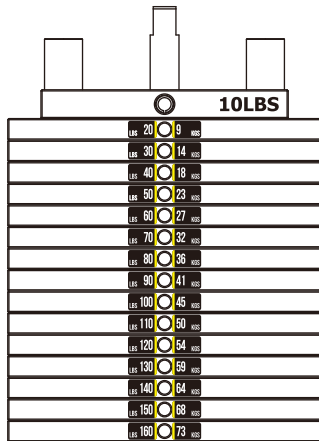


Grade No.	Part No.	Description	QTY
102	FE97193200	15LBS Weight Plate	19

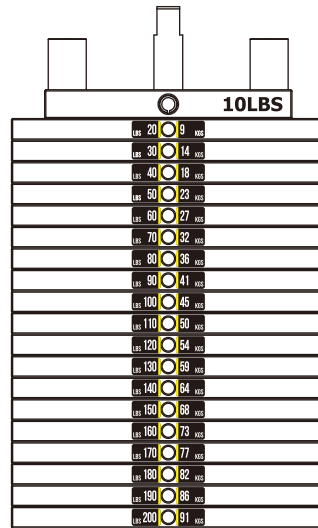
# Assembly

## All weight plate sticker paste schematic diagram

LBS 20	9
LBS 30	14
LBS 40	18
LBS 50	23
LBS 60	27
LBS 70	32
LBS 80	36
LBS 90	41
LBS 100	45
LBS 110	50
LBS 120	54
LBS 130	59
LBS 140	64
LBS 150	68
LBS 160	73
LBS 170	77
LBS 180	82
LBS 190	86
LBS 200	91
LBS 210	95
LBS 220	100
LBS 230	104

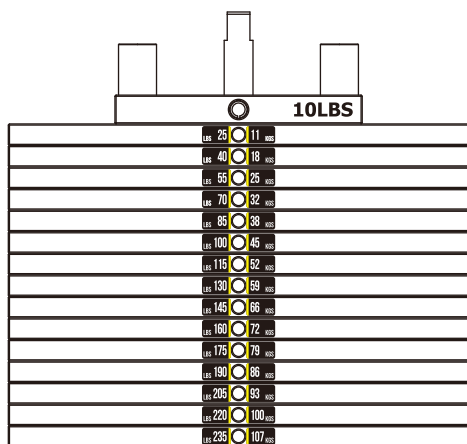


20-160LBS

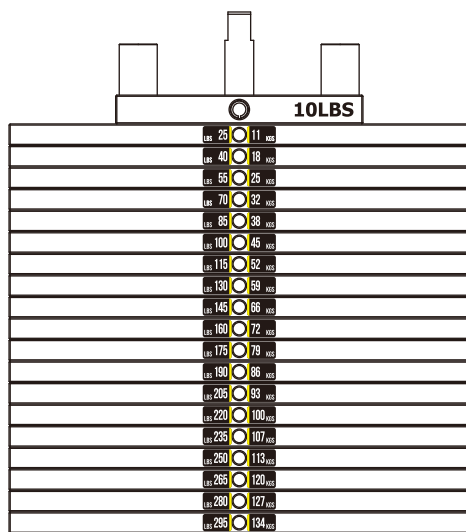


20-200LBS

LBS 25	11
LBS 40	18
LBS 55	25
LBS 70	32
LBS 85	38
LBS 100	45
LBS 115	52
LBS 130	59
LBS 145	66
LBS 160	72
LBS 175	79
LBS 190	86
LBS 205	93
LBS 220	100
LBS 235	107
LBS 250	113
LBS 265	120
LBS 280	127
LBS 295	134
LBS 310	141
LBS 325	147



25-235LBS

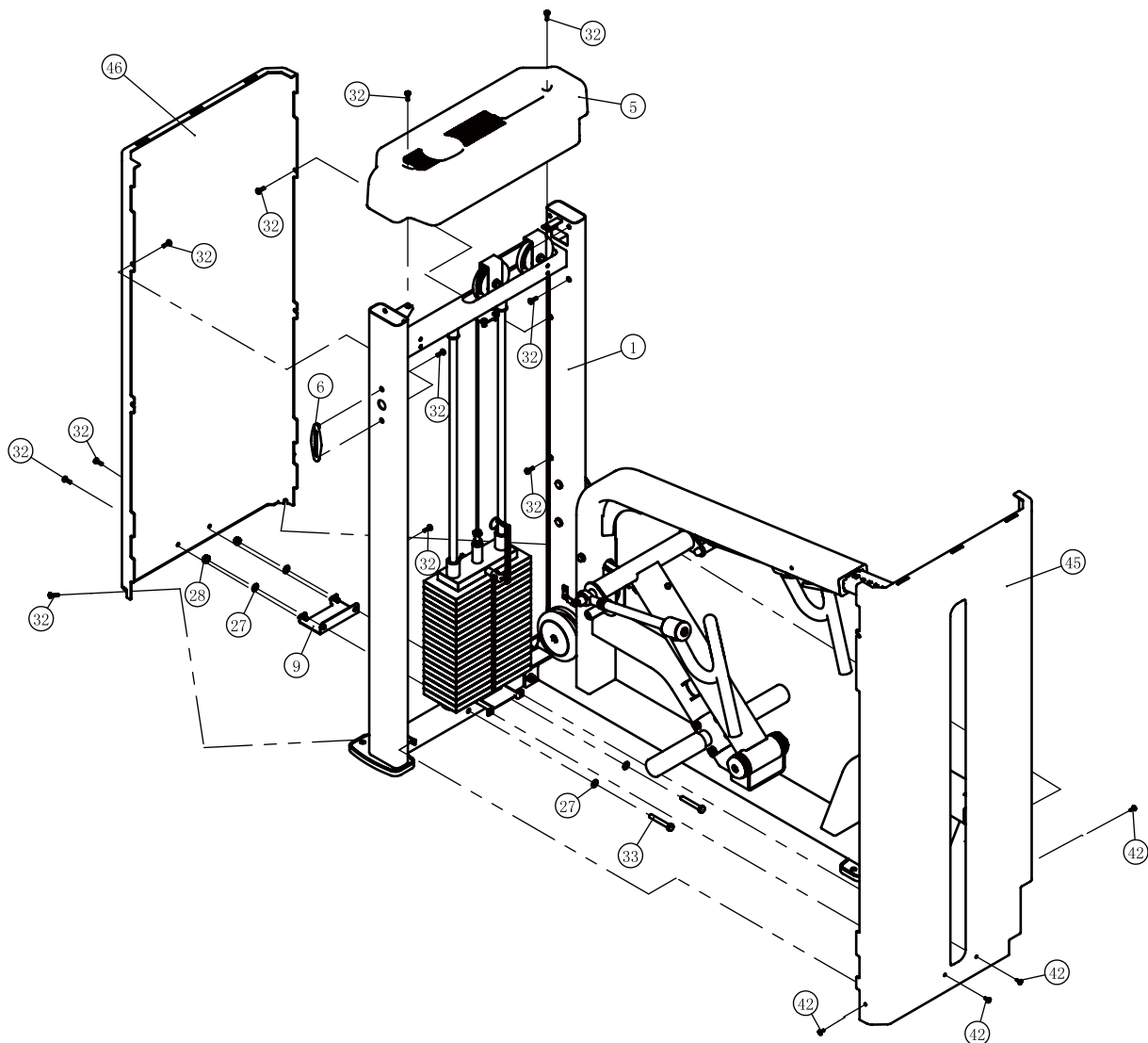


25-295LBS

# Assembly

## STEP 5

1. Attach the Bottom Bracket ASSY (#9) to the Weight Stack Frame ASSY (#1) using:  
two M10\*70 HHB (#33)                      four  $\Phi 11*\Phi 20*2$  Flat Washer (#27)  
two M10 Nylon Lock Nut (#28)
2. Attach the Rear Shroud (#46) to the Weight Stack Frame ASSY (#1) using:  
eight M6\*20 CRPHS (#32)
5. Attach the Front Shroud (#45) to the Weight Stack Frame ASSY (#1) using:  
two M6\*20 CRPHS (#32)                      four ST4.2\*16 Cross Disc Self Tapping Screw (#42)
6. Attach the Plug (#6) to the Weight Stack Frame ASSY (#1).
7. Attach the Top Cover (#5) to the Weight Stack Frame ASSY (#1) using:  
two M6\*20 CRPHS (#32)





# Assembly

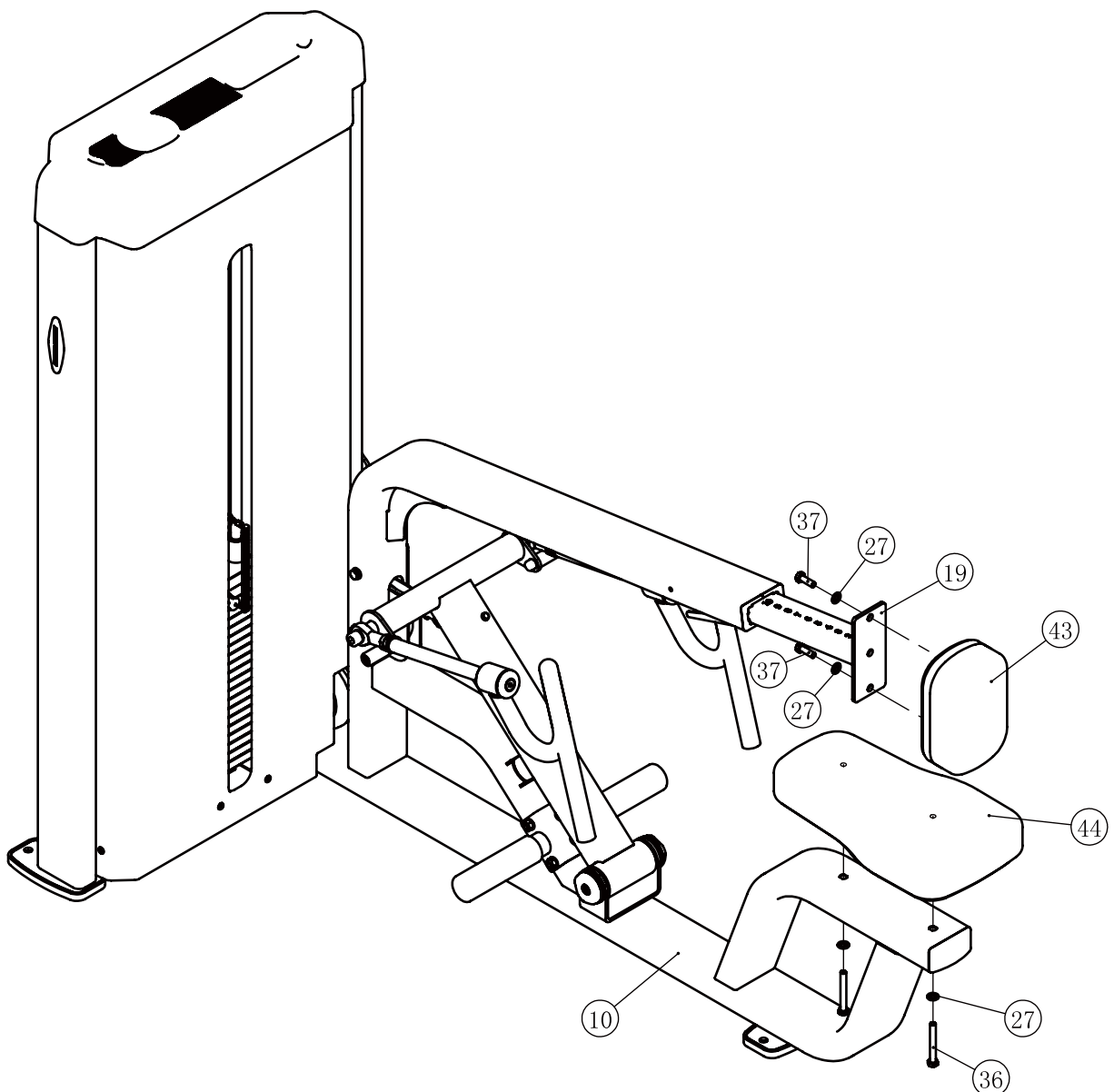
## STEP 6

Attach the Seat Pad (#43) and the Chest Pad (#44) to the Chest Pad Support (#19) and the Main Frame ASSY (#10) using:

two M10\*30 HHB (#37)

two M10\*80 HHB (#36)

four  $\Phi 11*\Phi 20*2$  Flat Washer (#27)



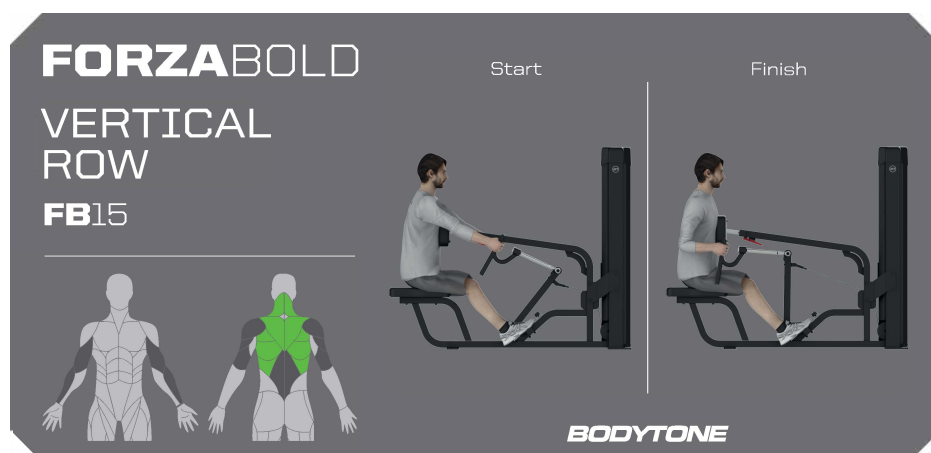
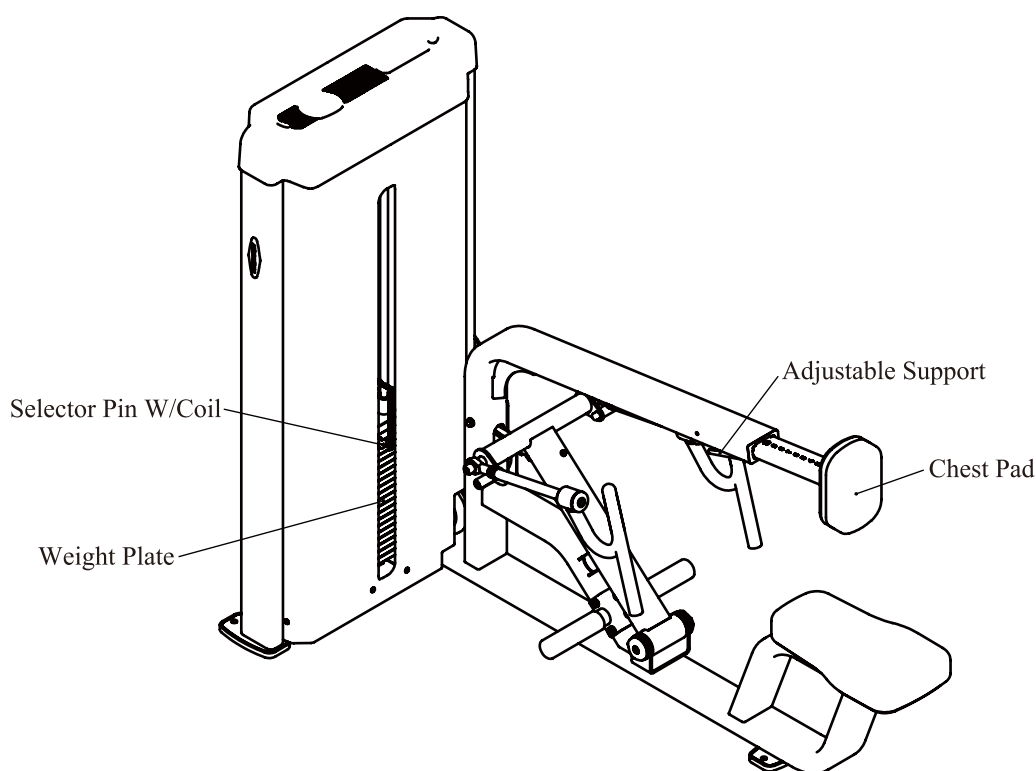
# Adjust Instructions and Exercise Instructions

## The Chest Pad adjustment

1. Pull the Adjustable Handle and adjust the Chest Pad to the desired position.
2. Make sure the pin gets into the hole completely.

## The use of Selector Pin W/Coil

1. Select an appropriate weight and put the Selector Pin W/Coil into the hole on it.
2. Make sure the Selector Pin W/Coil gets into the hole completely.



# Maintenance Schedule

ROUTINE	COMMERCIAL MAINTENANCE	HOME MAINTENANCE	LATEST DATE ENTRY						
Inspect; Links, Pull Pins, Snap Locks, Swivels, Weight Stack Pins	DAILY	WEEKLY							
Clean; Upholstery	DAILY	WEEKLY							
Inspect; Cables or Belts and their tension	DAILY	WEEKLY							
Inspect; Accessory Bars, and Handles	WEEKLY	3 MONTHS							
Inspect; All Decals	WEEKLY	3 MONTHS							
Inspect; All Nuts and Bolts, Tighten if needed	WEEKLY	3 MONTHS							
Inspect; Anti-Skid Surface	WEEKLY	3 MONTHS							
Clean & Lubricate; Guide Rods with a Teflon (PTFE) based lubricant (Superlube)	MONTHLY	3 MONTHS							
Lubricate; Seat Sleeves, Turcite Bushings, Linear Bearing	MONTHLY	3 MONTHS							
Clean and Wax; All Glossy Finishes	6 MONTHS	YEARLY							
Repack with Grease; Linear Bearings	6 MONTHS	YEARLY							
Replace; Cables, Belts and Connecting Parts	YEARLY	3 YEARS							

*Your equipment comes with a commercial maintenance decal. For personal, in home use, please follow the home maintenance schedule listed above.*

# General Maintenance Information

## **Links, Pull-Pins, Snap Hooks, Swivels, Weight Stack Pins:**

- \* Check all pieces for signs of visible wear or damage.
- \* Check springs in snap hooks and pull-pins for proper tension and alignment.
- \* If the spring sticks or has lost its rigidity, replace it immediately.

## **Upholstery:**

- \* To ensure prolonged upholstery life and proper hygiene, all upholstered pads should be wiped down with a damp cloth after every workout.
- \* Periodically take the time to use a mild soap or an approved vinyl upholstery cleaner to deter the onset of cracking or drying. Avoid using any abrasive cleaners or cleaners not intended for use on vinyl.
- \* Replace ripped or worn upholstery immediately.
- \* Keep sharp or pointed objects clear of all upholstery.

## **Decals:**

- \* Inspect and familiarize yourself with any safety warnings or other user information posted on each decal.

## **Nuts and Bolts:**

- \* Inspect all nuts and bolts for any loosening and tighten if needed.
- \* Go through a re-tightening sequence periodically to ensure that all hardware is tensioned proper.

## **Anti-Skid Surfaces:**

- \* These surfaces are designed to supply secure footing and need to be replaced if they appear worn or become slippery.

## **Belts and Cables:**

- \* We use only high quality belt, and mil-spec cables.
- \* Visually inspect the belts and cables for fraying, cracking, peeling or discoloration.
- \* While the machine is not in use, carefully run your fingers along the belt or cable to feel for thinning or bulging areas.
- \* Replace belts and cables immediately at the first signs of damage or wear. Do not use equipment until belts or cables have been replaced.

## **Belt and Cable Tension:**

- \* Referring to the Owners Manual, when belts or cables are used check all bolt attachments to be sure they are properly attached.
- \* Check slack in cables and re-adjust cable tension if needed.

## **Seat Sleeves, Guide Rods:**

- \* Wipe down adjusting tubes with a dust free rag before applying lubricant.
- \* Lubricate seat sleeves and Guide Rods with a Silicon or Teflon based lubricant spray.

## **Linear Bearings:**

- \* Referring to the Owners Manual carefully disassemble the bearing from its housing and place a finger full of light grease (lithium, super lube, etc.) into the inside of the bearing. Using your finger, press the grease into the ball-bearings and their tracks. Repeat until the ball-bearing tracks are full of grease. Insert the shaft back into the bearing and wipe off excess grease.

**PLEASE KEEP THIS FOR YOUR RECORDS**

## Weight Training Tips

Use this manual to guide you through the basic exercises you can perform on your equipment. To gain maximum results and avoid possible injury, consult a fitness professional to develop your complete exercise program.

Always consult your physician before starting any exercise program.

To be successful in your exercise program, it is important to develop an understanding of the basic principles of strength training. Now that you have your equipment, it is only natural that you want to get started immediately. First, determine a set of realistic goals and objectives for yourself. By deciding on an exercise plan that is right for you prior to starting, you will contribute significantly to your success.

Warm up properly before engaging in weight resistance training. Stretching, yoga, jogging, calisthenics or other cardiovascular exercise can help prepare your body for the heavier workload of lifting weights.

Learn how to perform the exercise correctly before using heavy weight. Correct form is important to avoid injury and to ensure that you work the proper muscle groups.

Know your limitations. If you are new to weight training or are embarking on an exercise regimen after a long layoff, start slowly and build foundational strength over a longer period of time.

Pay attention to your breathing. Exhale when you exert is a general rule of thumb. Never hold your breath.



***BODYTONE***



[bodytone.eu](http://bodytone.eu)